

2.1

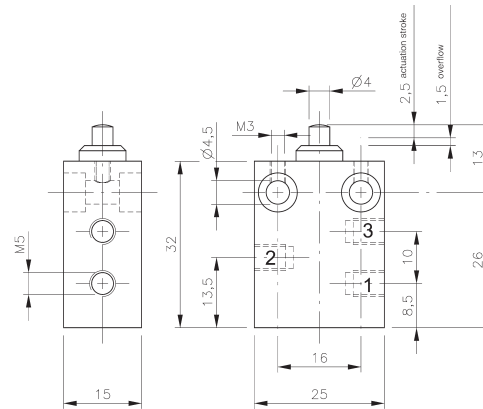
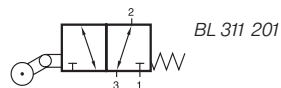
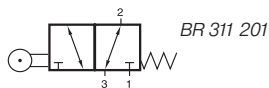
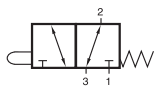
Mechanically Actuated Valves

Selected models are available for explosion hazardous environment. They are ATEX-Ex certified. For detailed information refer to chapter 2.14.

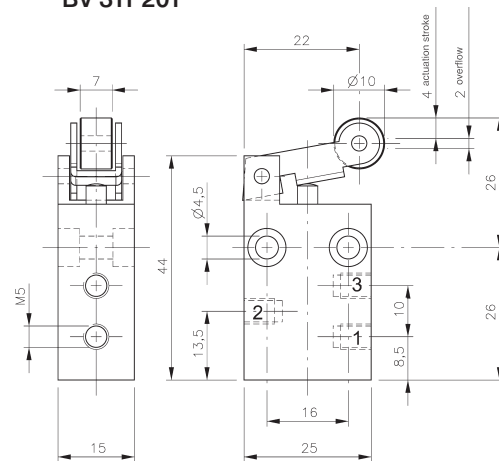


Selected models are available for low temperature application. For detailed information refer to chapter 2.11.

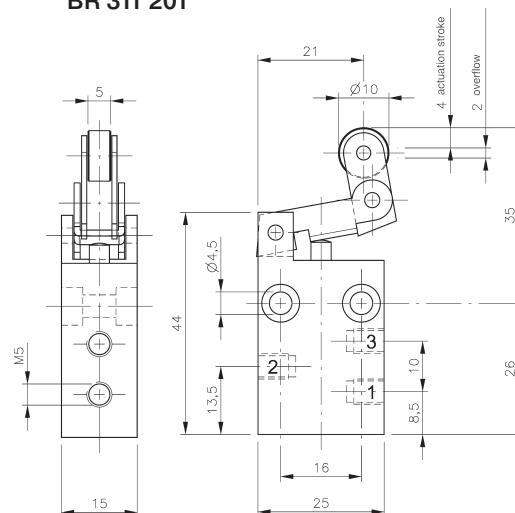
BV/BR/BL 311 201



BV 311 201



BR 311 201



BL 311 201

Mechanically actuated 3/2-way spool valve with mechanical spring. All ports are on the side of the valve.

If pressure is applied to port 1 the function is normally closed.

If pressure is applied to port 3 the function is normally open.

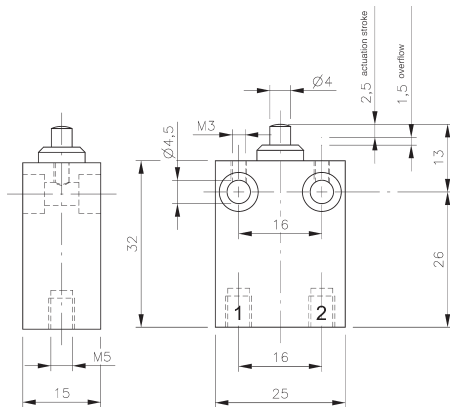
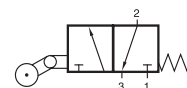
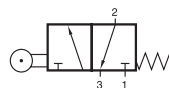
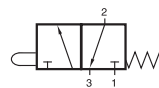
The use of the ports is interchangeable.

Exhaust can be throttled.

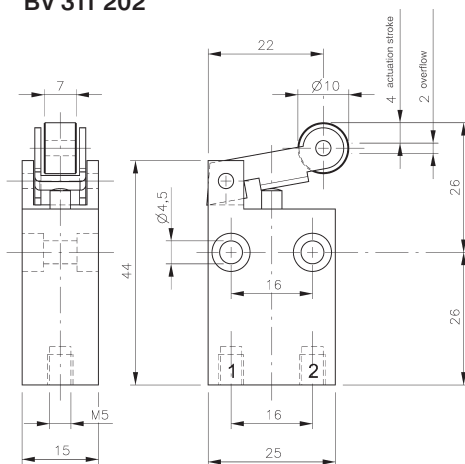
Valves can be used for technical vacuum too.

Type	Port size	Air flow	Operating press.	Actuating force	Weight
BV 311 201	M5	125 l/min	-0,9 - 10 bar	14 N	0,033 kg
BR 311 201	M5	125 l/min	-0,9 - 10 bar	9 N	0,041 kg
BL 311 201	M5	125 l/min	-0,9 - 10 bar	9 N	0,044 kg

BV/BR/BL 311 202



BV 311 202



Mechanically actuated 3/2-way spool valve with mechanical spring.

All ports are at the bottom of the valve.

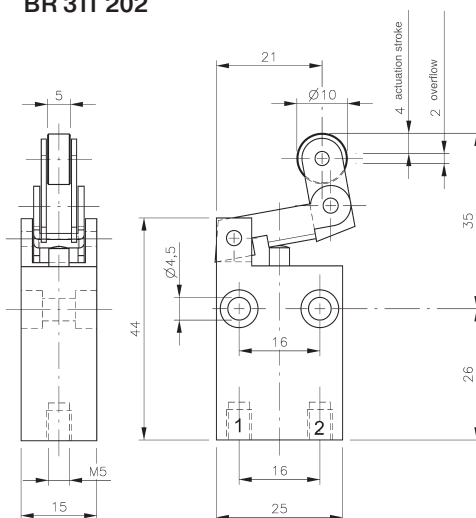
Function is normally closed. When operated the valve opens from 1 to 2.

Exhaust through stem.

Normally open versions can be delivered on request.

Valves can be used for technical vacuum too.

BR 311 202



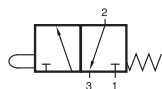
BL 311 202

Type	Port size	Air flow	Operating press.	Actuating force	Weight
BV 311 202	M5	115 l/min	-0,9 - 10 bar	14 N	0,033 kg
BR 311 202	M5	115 l/min	-0,9 - 10 bar	9 N	0,041 kg
BL 311 202	M5	115 l/min	-0,9 - 10 bar	9 N	0,044 kg

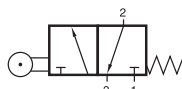
BV/BR/BL 311 243

2.1.1.3

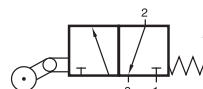
page 24



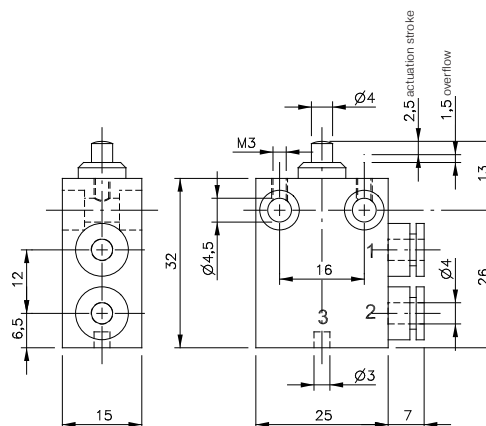
BV 311 243



BR 311 243



BL 311 243



BV 311 243

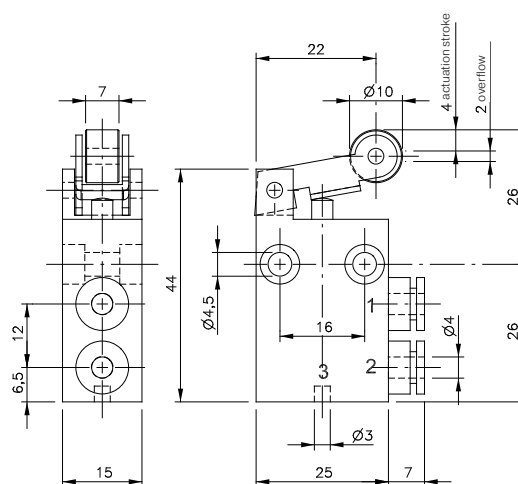
Mechanically actuated 3/2-way spool valve with mechanical spring. Ports 1 and 2 are on one side of the valve, equipped with 4 mm push-in fittings.

Function is normally closed. When operated the valve opens from 1 to 2.

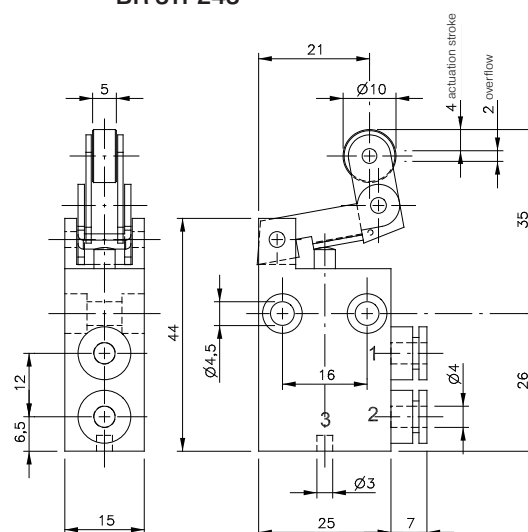
Exhaust through endcap.

Normally open versions can be delivered on request.

Valves can be used for technical vacuum too.



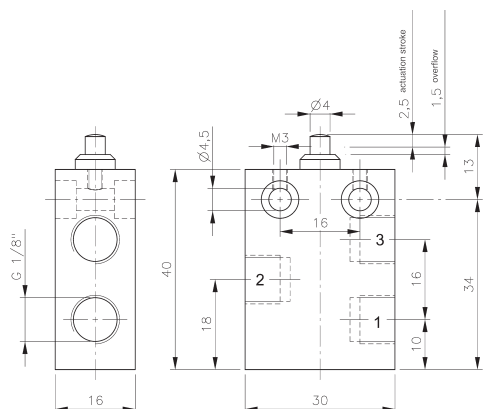
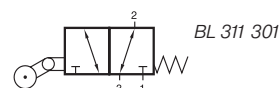
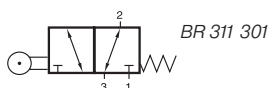
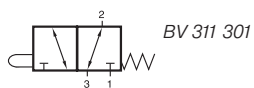
BR 311 243



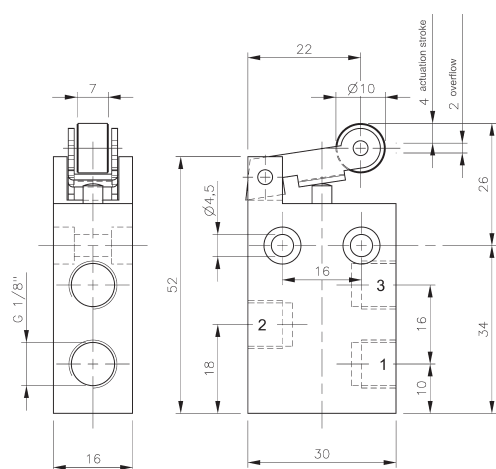
BL 311 243

Type	Port size	Air flow	Operating press.	Actuating force	Weight
BV 311 243	pif 4 mm	115 l/min	-0,9 - 10 bar	14 N	0,033 kg
BR 311 243	pif 4 mm	115 l/min	-0,9 - 10 bar	9 N	0,041 kg
BL 311 243	pif 4 mm	115 l/min	-0,9 - 10 bar	9 N	0,044 kg

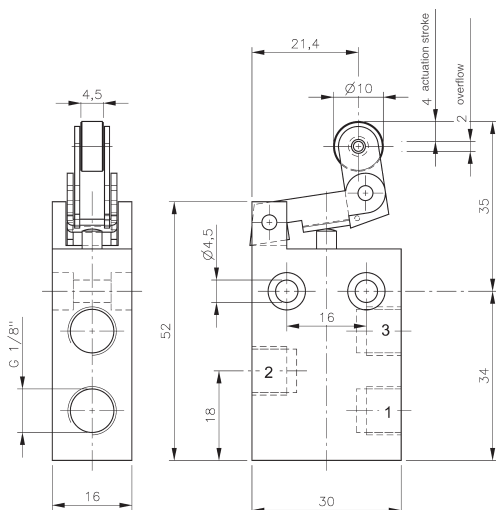
BV/BR/BL 311 301



BV 311 301



BR 311 301



BL 311 301



Mechanically actuated 3/2-way spool valve with mechanical spring. All ports are on the side of the valve.

If pressure is applied to port 1 the function is normally closed.

If pressure is applied to port 3 the function is normally open.

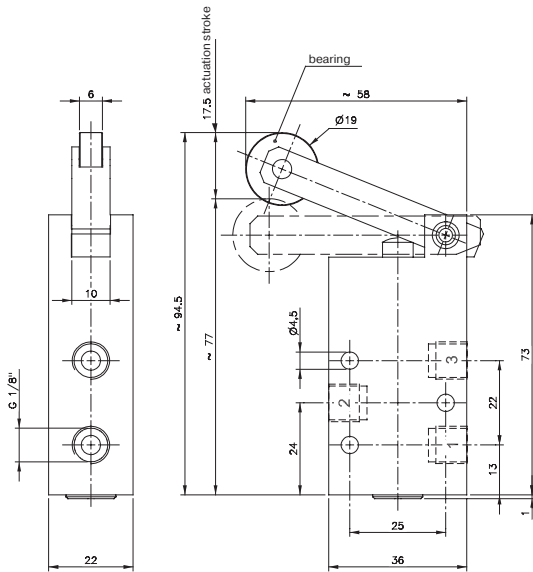
The use of the ports is interchangeable.

Exhaust can be throttled.

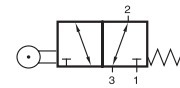
Valves can be used for technical vacuum too.

Type	Port size	Air flow	Operating press.	Actuating force	Weight
BV 311 301	G 1/8"	280 l/min	-0,9 - 10 bar	14 N	0,047 kg
BR 311 301	G 1/8"	280 l/min	-0,9 - 10 bar	10 N	0,059 kg
BL 311 301	G 1/8"	280 l/min	-0,9 - 10 bar	10 N	0,061 kg

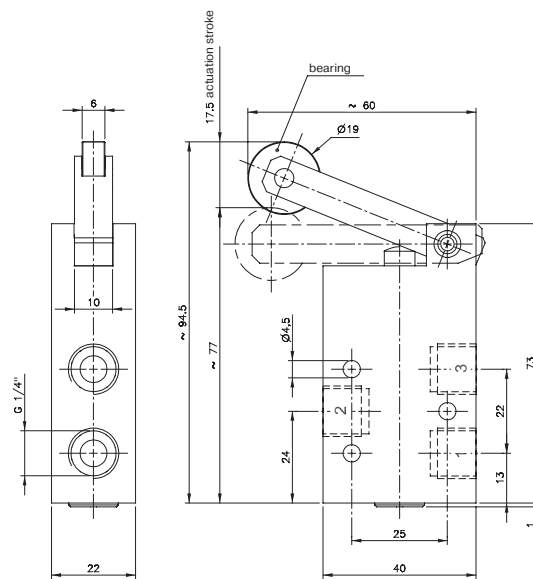
BR 311 501/BR 311 701



BR 311 501



BR 311 501
BR 311 701



BR 311 701

Heavy-duty 3/2-way roller-lever spool valve with mechanical spring, offering high air flow. Lever-construction has proven capabilities in rough environmental applications for decades. Lever is made from zinc plated steel.

If pressure is applied to port 1 the function is normally closed.
If pressure is applied to port 3 the function is normally open.

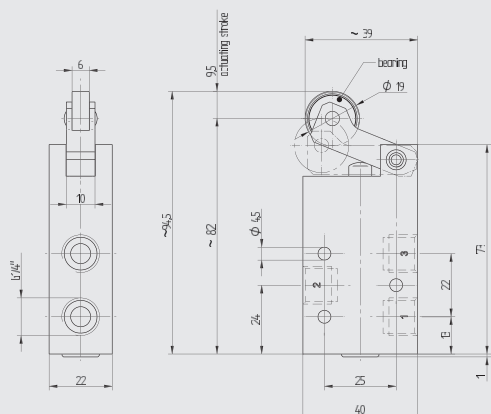
The use of the ports is interchangeable.

Exhaust can be throttled.

On request:
Roller-lever valves with idle return.

Low temperature version:
In this case the ports are not interchangeable, standard: Pressure at port 1 = normally closed, normally open version to be ordered separately.

Valves can be used for technical vacuum too.

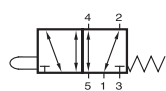


Also available with a short stainless steel lever. Actuating force is around 9 N.

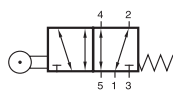
Type	Port size	Air flow	Operating press.	Actuating force	Weight
BR 311 501	G 1/8"	650 l/min	-0,9 - 10 bar	3,5 N	0,19 kg
BR 311 701	G 1/4"	1250 l/min	-0,9 - 10 bar	3,5 N	0,20 kg



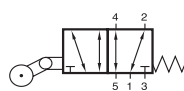
BV/BR/BL 511 201



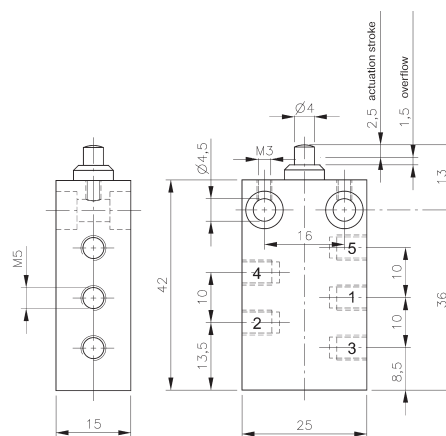
BV 511 201



BR 511 201



BL 511 201



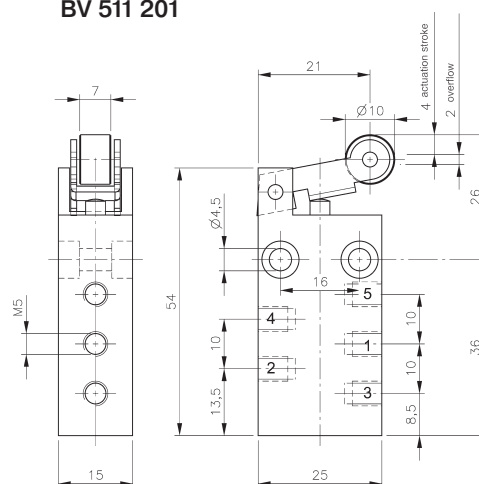
BV 511 201

Mechanically actuated 5/2-way spool valve with mechanical spring.

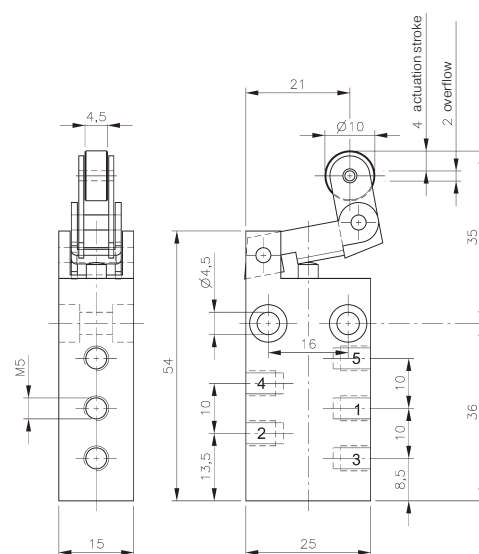
Normally open from 1 to 2 and from 4 to 5.
Operated open from 1 to 4 and 2 to 3.

Exhaust can be throttled.

Valves can be used for technical vacuum too.



BR 511 201

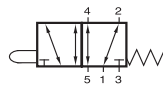


BL 511 201

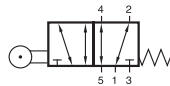
Type	Port size	Air flow	Operating press.	Actuating force	Weight
BV 511 201	M5	125 l/min	-0,9 - 10 bar	14 N	0,043 kg
BR 511 201	M5	125 l/min	-0,9 - 10 bar	9 N	0,051 kg
BL 511 201	M5	125 l/min	-0,9 - 10 bar	9 N	0,054 kg



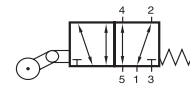
BV/BR/BL 511 301



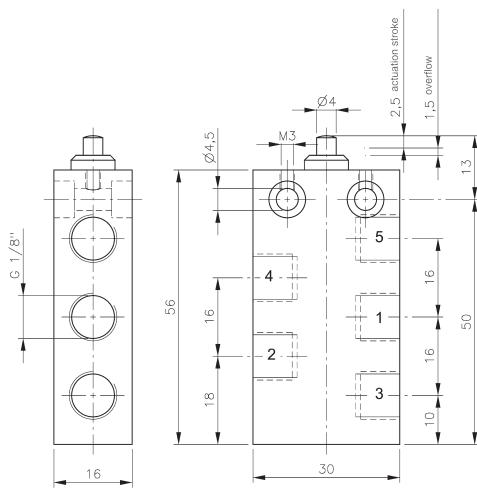
BV 511 301



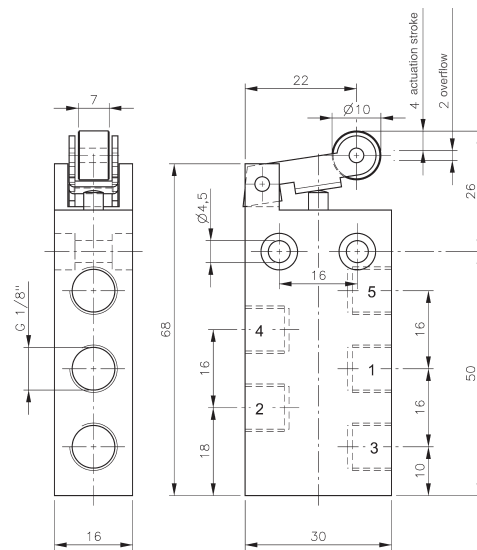
BR 511 301



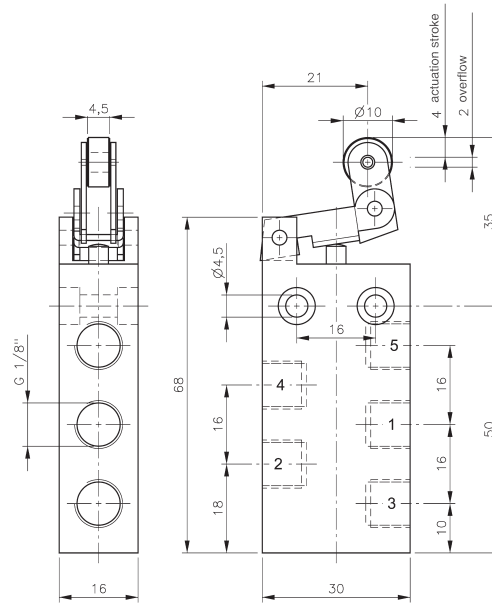
BL 511 301



BV 511 301



BR 511 301



BL 511 301

Mechanically actuated 5/2-way spool valve with mechanical spring.

Normally open from 1 to 2 and from 4 to 5.
Operated open from 1 to 4 and 2 to 3.

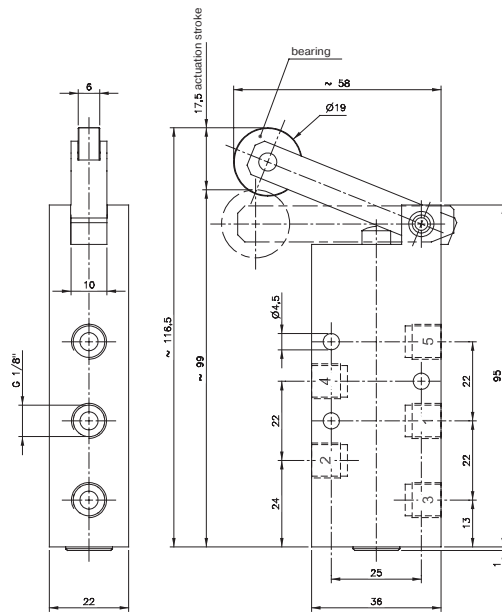
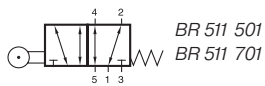
Exhaust can be throttled.

Valves can be used for technical vacuum too.

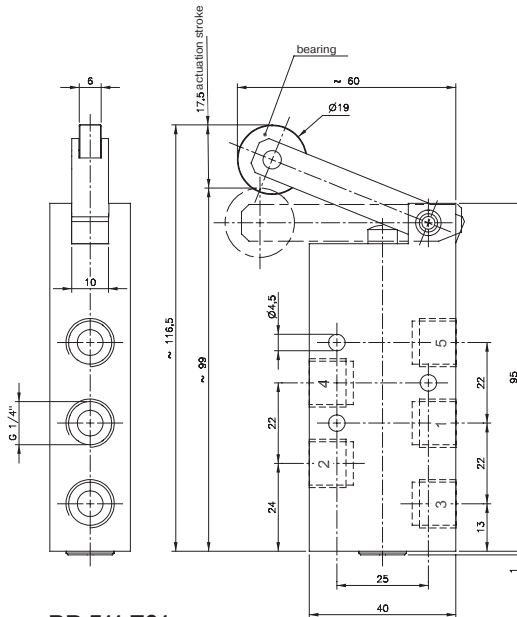
Type	Port size	Air flow	Operating press.	Actuating force	Weight
BV 511 301	G 1/8"	280 l/min	-0,9 - 10 bar	14 N	0,065 kg
BR 511 301	G 1/8"	280 l/min	-0,9 - 10 bar	10 N	0,077 kg
BL 511 301	G 1/8"	280 l/min	-0,9 - 10 bar	10 N	0,079 kg



BR 511 501/BR 511 701



BR 511 501



BR 511 701

Heavy-duty 5/2-way roller-lever spool valve with mechanical spring. High flow especially for the trucking and railway industry. Lever-construction has proven capabilities in railway applications for decades.

Normally open from 1 to 2 and 4 to 5.
Operated open from 1 to 4 and 2 to 3 .

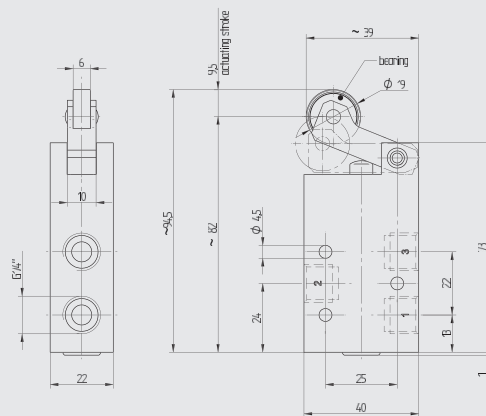
Exhaust can be throttled.

On request:
Roller-lever valves with idle return.

Low temperature version:
In this case the ports are not interchangeable,
standard: Pressure at port 1 = normally closed,
normally open version to be ordered separately.

Valves can be used for technical vacuum too.

Also available with a short stainless steel lever. Actuating force is around 9 N.



Type	Port size	Air flow	Operating press.	Actuating force	Weight
BR 511 501	G 1/8"	650 l/min	-0,9 - 10 bar	3,5 N	0,23 kg
BR 511 701	G 1/4"	1250 l/min	-0,9 - 10 bar	3,5 N	0,25 kg

